



Mounting plate GS-SDS-A for GS-SDS-210



Mounting plate GS-SDS-B for GS-SDS-200 and GS-SDS-201

Opening Direction	Item Name	Description	Non-handed	Maximum Door Moment
Top-opening	GS-SDS-200	With Catch	Yes	3.43~4.9 N · m/pc (35~50 kg · cm/pc)
	GS-SDS-201			
	GS-SDS-210	-		

- For top-opening doors.
- Non-handed: Can be installed either on left or right side.
- Designed to hold the door in fully opened position.
- Three types are available, depending on opening angle and type of hinge (sold separately).  
 SDS-200: Opening angle 70° ※, piano/butt hinge  
 SDS-201: Opening angle 70° ※, concealed hinge  
 SDS-210 (wide angle opening): Opening angle 105° ※, piano/butt hinge or concealed hinge  
 ※Fully opened angle of door at the installation position in the installation drawing next page.
- For opening angle or hinge type other than specified, please contact local representatives.

### [Specifications]

- Operating temperature: 0°C~40°C

### [Remarks]

- Be sure to read the "Cautions"
- Do not push the door up over the max. opening angle. Also do not forcibly press the door down when closing.

### [Parts Included]

- Mounting plate
- Countersunk head tapping screw 3.5x 14

### [Sold Separately]

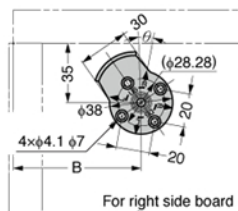
- SDS face plate and spacer for glass door

### [Maximum Door Moment]

- With 1 stay  
 Maximum door moment = 3.43~4.9 N · m
- With 2 stays, the maximum door moment will be doubled.  
 Maximum door moment (N · m) = Door weight (kg) × 9.80665 × Distance from rotation centre to door centre of gravity (m)

### [Installation for Mounting Plate]

#### GS-SDS-200, GS-SDS-201

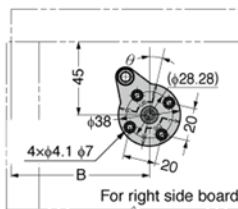


For right side board, install with the "→" mark of R at US side upwards.  
 For left side board, install with the "→" mark of L at US side upwards.

### [Full Overlay]

Item Name	Hinge Type	Opening Angle	B	θ
GS-SDS-200	Single Knuckle Hinge	70°	75	( 0° )
GS-SDS-201	Concealed Hinge 230-26/19T		74	
GS-SDS-210	Single Knuckle Hinge	105°	81	( 5° )
	Concealed Hinge 230-26/19T		87	

#### GS-SDS-210



### [Inset (Door Thickness 20mm)]

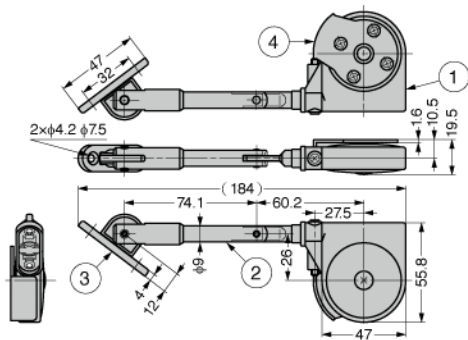
Item Name	Hinge Type	Opening Angle	B	θ
GS-SDS-200	Single Knuckle Hinge	70°	63.5	( 10° )
GS-SDS-201	Concealed Hinge 230-26/0T		79	
GS-SDS-210	Single Knuckle Hinge	105°	70	( 15° )

For right side board, install with the "→" mark of R at US side upwards.  
 For left side board, install with the "→" mark of L at US side upwards.

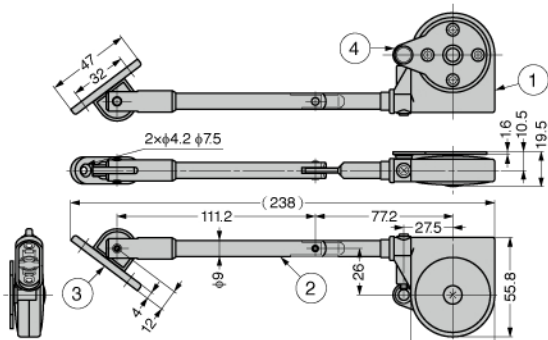
### Video Link



**S**election Tool  
**Sasuga-kun**  
 Applicable Products  
 Used for Product Selection & Simulation.  
 Available on Web!



GS-SDS-200, GS-SDS-201



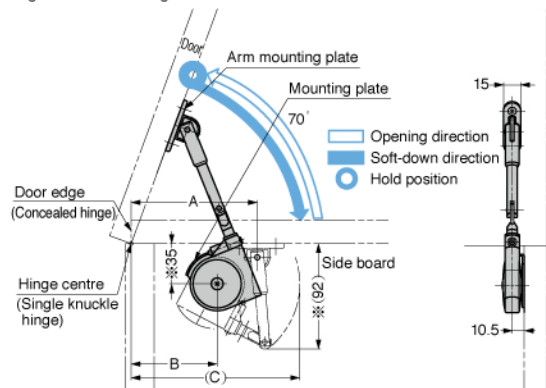
GS-SDS-210

No.	Part Name	Material	Finish/Colour
①	Body	ABS	White, Grey, Umber
②	Arm	Steel (SPCC)	Nickel
③	Arm Mounting Plate		
④	Mounting Plate		

### [Installation GS-SDS-200 and GS-SDS-201]

Right side installation for top-opening 70°. Left side installation is symmetrical.

Comes down slowly and softly in closing direction. Installation with piano/butt hinge or concealed hinge shown below.



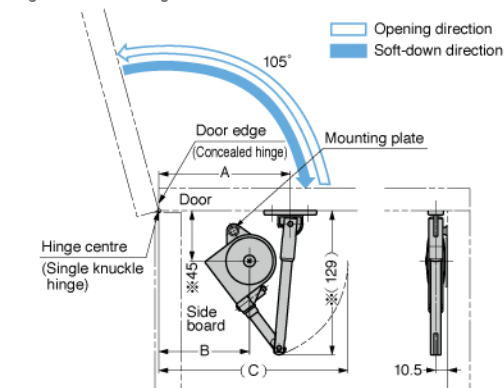
● Installation dimensions vary depending on hinge type. Reference point of installation dimension (A, B, C) : hinge centre for piano/butt hinge, while door edge for concealed hinge.

● Reference point of ※ marked dimensions is the back side of door.

### [Installation GS-SDS-210]

Right side installation for top-opening 105°. Left side installation is symmetrical.

Comes down slowly and softly in closing direction. Installation with piano/butt hinge or concealed hinge shown below.



### [Full Overlay]

Item Name	Hinge Type	Opening Angle	A	B	C
GS-SDS-200	Single knuckle hinge	70°	110	75	147
GS-SDS-201	Concealed Hinge 230-26/19T		109	74	146
GS-SDS-210	Single knuckle hinge	105°	117.5	81	169
	Concealed Hinge 230-26/19T		123.5	87	175

### [Inset (Door Thickness 20mm)]

Item Name	Hinge Type	Opening Angle	A	B	C
GS-SDS-200	Single knuckle hinge	70°	98.5	63.5	135
GS-SDS-201	Concealed Hinge 230-26/0T		114	79	151
GS-SDS-210	Single knuckle hinge	105°	108.3	70	157.3

### [Body]

Item Name	Material	Finish/Colour	Maximum Door Moment (N·m/pc)	Maximum Door Moment (kgf·cm/pc)	Weight (g)
GS-SDS-200-W	ABS/Steel	Nickel/Grey	3.43~4.9	35~50	153
GS-SDS-200-G		Nickel/Umber			
GS-SDS-200-U		Nickel/White			
GS-SDS-201-W		Nickel/Grey			
GS-SDS-201-G		Nickel/Umber			
GS-SDS-201-U		Nickel/White			
GS-SDS-210-W		Nickel/Grey			159
GS-SDS-210-G		Nickel/Umber			
GS-SDS-210-U		Nickel/White			